



Cassette

Surface-mounted Cathodic Protection system for use in wet environments. Cassette is a surface mounted anode system for use on concrete. It consists of a 2-meter long fibreglass profile with one or two MMO coated titanium mesh ribbons and a mineralic contact felt. The profile has a round design to be easy on the eye, and a sliding plastic or metallic lid (optional) conceals the fasteners. The empty space on both sides of the contact felt can be used as a cable conduit to hide cathodic protection and sensor cables. This anode system is extremely quick to install and environmentally friendly through minimum dust and noise during installation. The contact felt must be kept wet to stay electrically conductive. This is achieved by soaking the Cassette profile with the contact felt in Cassette Hygroscopic Fluid for a couple of hours prior to installation. Cassette Hygroscopic Fluid and Cassette Fastener are included when ordering the product. The standard length of Cassette is 2 m, other lengths can be made on order.



Specifications

Cassette

CASSETTE	
GRP PANEL	Length 2m, width 105mm, total height including dry felt 34mm
GRP FLAMMABILITY	UL94V-0(burning stops within 10sec on a vertical specimen; drips of particles allowed as long as they are not inflamed)
PRIMARY ANODE	Mesh Ribbon MMO coated titanium Max.current 5.28 mA /m Resistance 0.235 Ω /m Coating MMO - Tantalum / Iridium (TaOx-IrOx) mixed oxides Dimensions:20 mm wide,0.6 mm thick
SECONDARY ANODE	Mineralic contact felt
WEIGHT W/ TWO TI-RIBBONS	Approx 1.4 kg/m dry Approx 1.9 kg/m wet

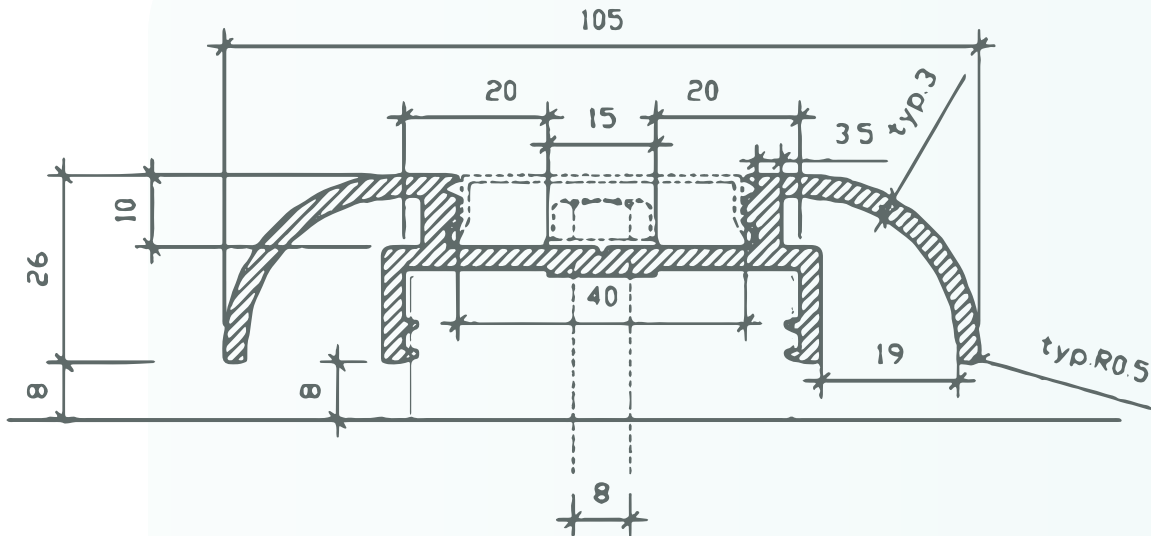
CASSETTE HYGROSCOPIC FLUID	
HYGROSCOPIC AGENT	Soak Cassette with contact felt in Cassette Hygroscopic Fluid prior to mounting (over night or at least three hours) Supplied in 20 litre cans.

CASSETTE FASTENER	
HYGROSCOPIC AGENT	Hexagonal head cap screw M5x70, stainless steel (type 316 / A4) Length: 70 mm, diameter 5 mm Height of head: 3.5 mm Thread length: 42 mm Drive size: A/F 8 Drive shape: Outer hex
WASHER	Circular washer 30x5.3x1.5, stainless steel (type 316 / A4) Outer diameter: 30 mm Inner diameter: 5.3 mm Material thickness: 1.5 mm
INSULATING PLUG	Plastic plug 10X67 mm

Cassette can be delivered with one (S1) or two titanium ribbons (D1)
 HS export code: 9031 9000

Complete delivery consists of three main parts

- Cassette
- Cassette Hygroscopic Fluid (hygroscopic agent)
- Cassette Fastener (bolts, washers, insulating plugs)



Notes

HS Export-Code: 9031 9000